








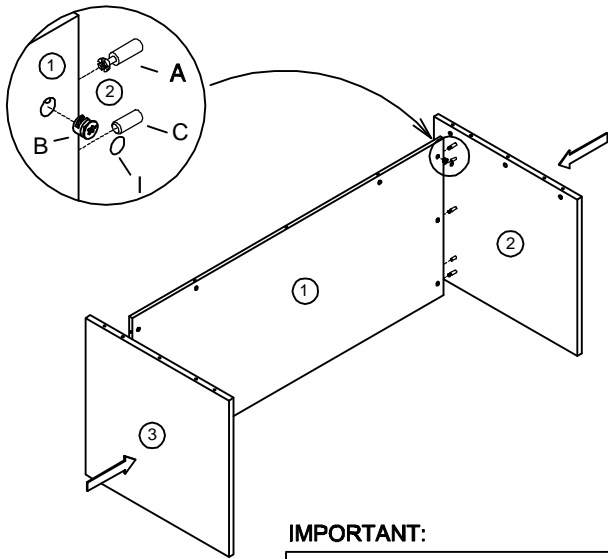


## Desk Shells

LO2/08-22

A	B	C	D	E	F	G	H	I
								
Cam Lock Pin 14Pcs+2Pcs	Cam Lock 14Pcs+2Pcs	Dowel 9Pcs+2Pcs	Glide 4Pcs	L-Bracket 5Pcs	Screw #4*5/8" 30Pcs+5Pcs	Grommet 2Pcs	DEEP CAMLOCK CAP 6Pcs+1Pcs	CAMLOCK CAP 8Pcs+1Pcs

### STEP1



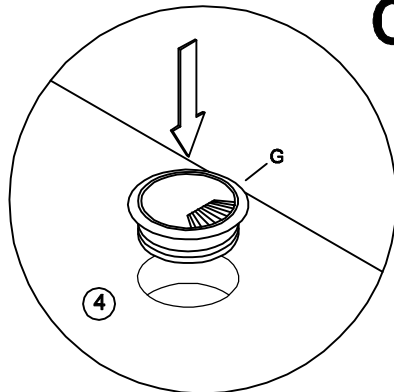
**IMPORTANT:**

**FUNCTION OF CAM**

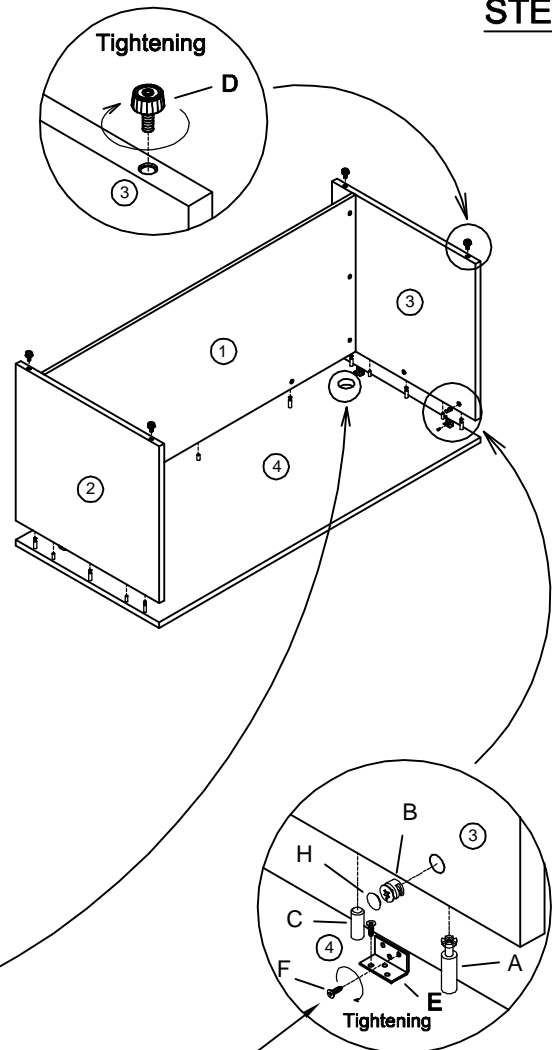


**1/4 RIGHT  
TURN FOR  
LOCKING**

**MAKE SURE THE ARROW IS POINTING UPWARDS  
BEFORE INSERTING INTO THE PANEL'S HOLE.**



### STEP2



**IMPORTANT:**  
 IF INSTALLING PEDESTAL;  
 BRACKETS ON END NOT REQUIRED.

**IMPORTANT NOTE:**

- It is advisable to assemble unit on a carpet to avoid scratch.
- Check to be sure that you have all parts and hardware.
- Don't tighten all screws/bolts until all completely assembled.
- It is recommended to require 2 persons to complete the assembling.