






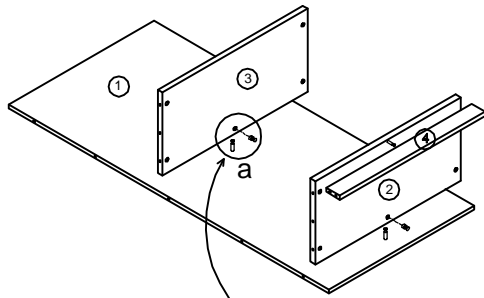


## Bookcase

LO2/08-22

CONC10	CONC11	DOWEL	GLIDE	TUN020SD	PLASTIC CAP	PLASTIC CAP
<b>A</b>  Cam Lock Pin 25Pcs+5Pcs	<b>B</b>  Cam Lock 25Pcs+5Pcs	<b>C</b>  Dowel 16Pcs+2Pcs	<b>D</b>  Glide 4Pcs	<b>E</b>  Shelf dowel 12Pcs+2Pcs	<b>F</b>  DEEP CAMLOCK CAP 14Pcs+3Pcs	<b>G</b>  CAMLOCK CAP 11Pcs+2Pcs

### STEP1



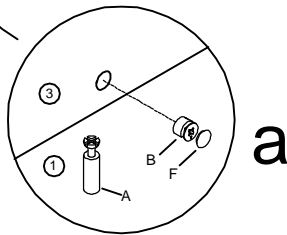
**IMPORTANT:**

**FUNCTION OF CAM**

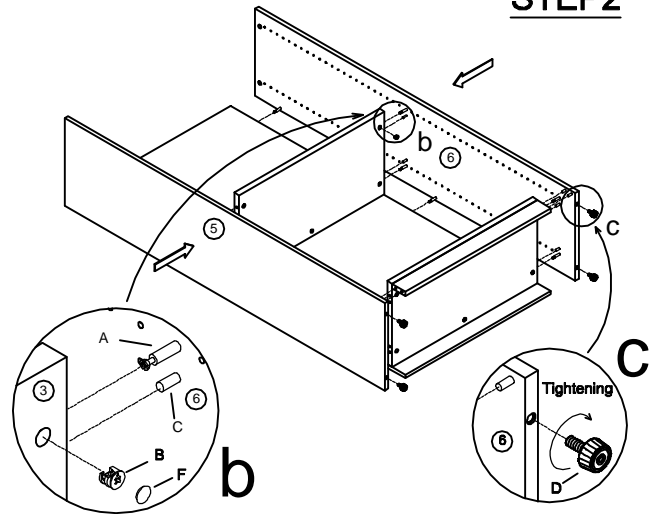


1/4 RIGHT  
TURN FOR  
LOCKING

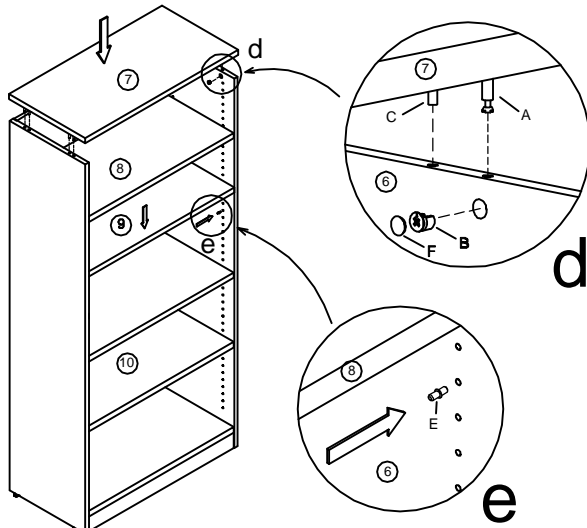
MAKE SURE THE ARROW IS POINTING UPWARDS  
BEFORE INSERTING INTO THE PANEL'S HOLE.



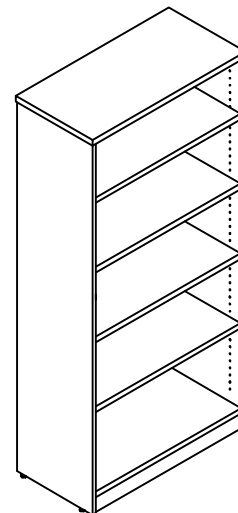
### STEP2



### STEP3



### COMPLETED ASSEMBLY



**IMPORTANT NOTE:**

- It is advisable to assemble unit on a carpet to avoid scratch.
- Check to be sure that you have all parts and hardware.
- Don't tighten all screws/bolts until all completely assembled.
- It is recommended to require 2 persons to complete the assembling.