






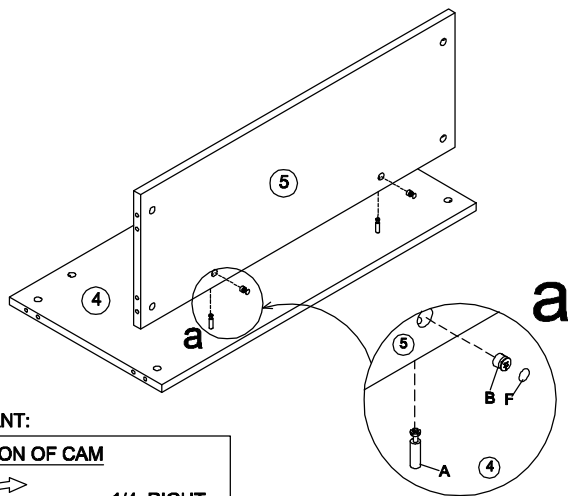


Wall Mounted Cabinet with Laminate Doors

LO2/08-22

CONC10	CONC11	DOWEL	TUN023DH	PLASTIC CAP	PLASTIC CAP	BUMPER
A  Cam Lock Pin 22Pcs+2Pcs	B  Cam Lock 22Pcs+2Pcs	C  Dowel 12Pcs+2Pcs	D  Side Door Hinge 4Pcs	E  DEEP CAMLOCK CAP 4Pcs+1Pcs	F  CAMLOCK CAP 18Pcs+1Pcs	G  Bumper Plastic 2Each

STEP1



IMPORTANT:

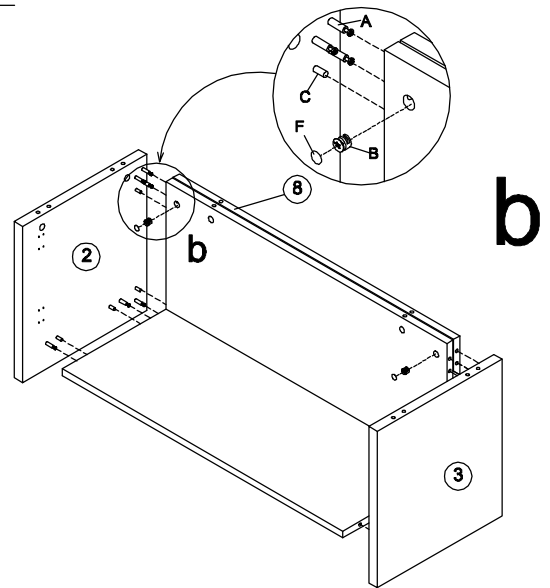
FUNCTION OF CAM



1/4 RIGHT
TURN FOR
LOCKING

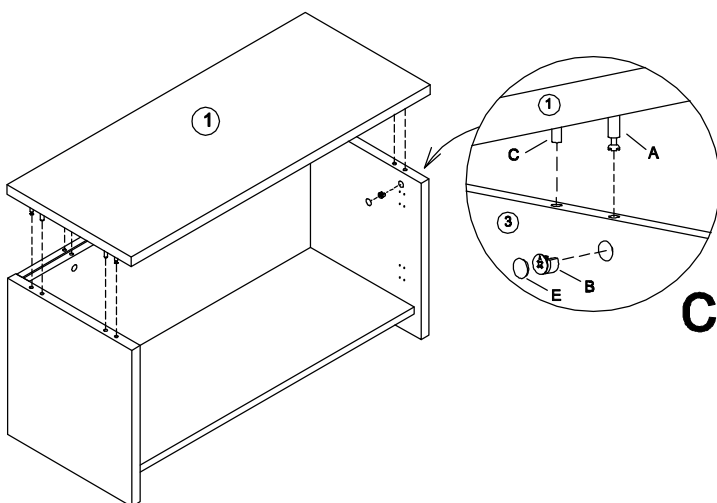
MAKE SURE THE ARROW IS POINTING UPWARDS
BEFORE INSERTING INTO THE PANEL'S HOLE.

STEP2

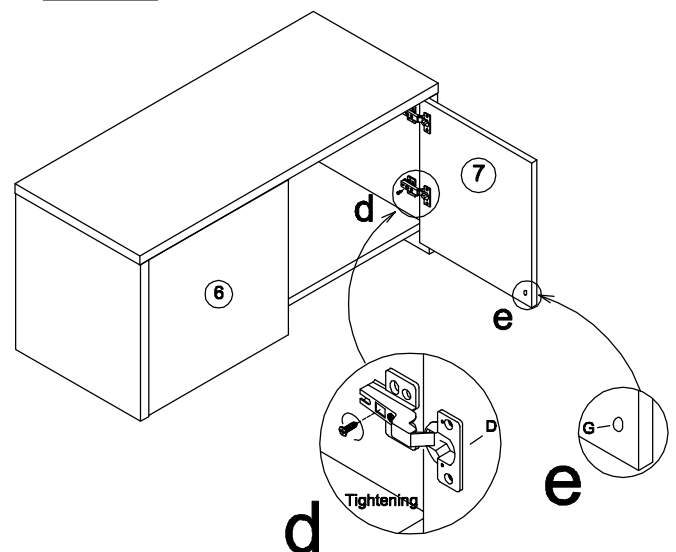


NOTE: CAP 'E' INSTALL ONTO 25MM PANELS.
CAP 'F' INSTALL ONTO 18MM PANELS.

STEP3



STEP4



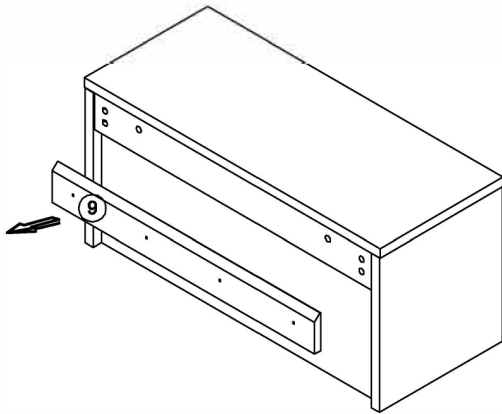
IMPORTANT NOTE:

- It is advisable to assemble unit on a carpet to avoid scratch.
- Check to be sure that you have all parts and hardware.
- Don't tighten all screws/bolts until all completely assembled.
- It is recommended to require 2 persons to complete the assembling.

Wall Mounted Cabinet with Laminate Doors

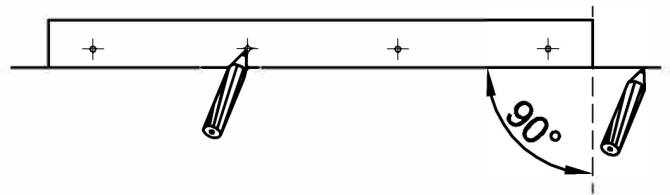
LO2/08-22

STEP5



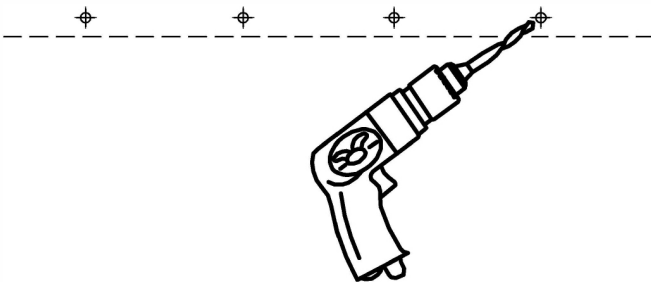
Remove "J" brackets located at the back of the unit.

STEP6



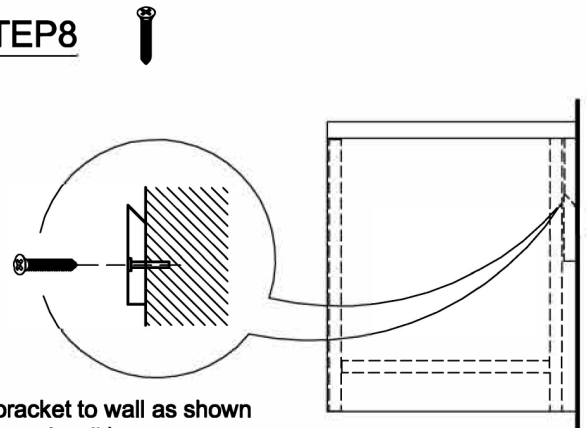
Position "J" brackets as desired height on wall. Once level, mark holes for drilling.

STEP7



Care should be taken to mount the units. Units should be mounted to wall studs using correct fasteners. Failure to do so may result in collapse of the unit and subsequent personal injury. Mounting hardware not included. Mounting hardware used should be based on wall material. Consult an installation professional for proper wall mounting.

STEP8



Secure bracket to wall as shown (slope toward wall.)

Lift cabinet into position and allow to rest on "J" brackets. 2 people recommended for this step.

IMPORTANT NOTE:

- It is advisable to assemble unit on a carpet to avoid scratch.
- Check to be sure that you have all parts and hardware.
- Don't tighten all screws/bolts until all completely assembled.
- It is recommended to require 2 persons to complete the assembling.