


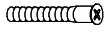






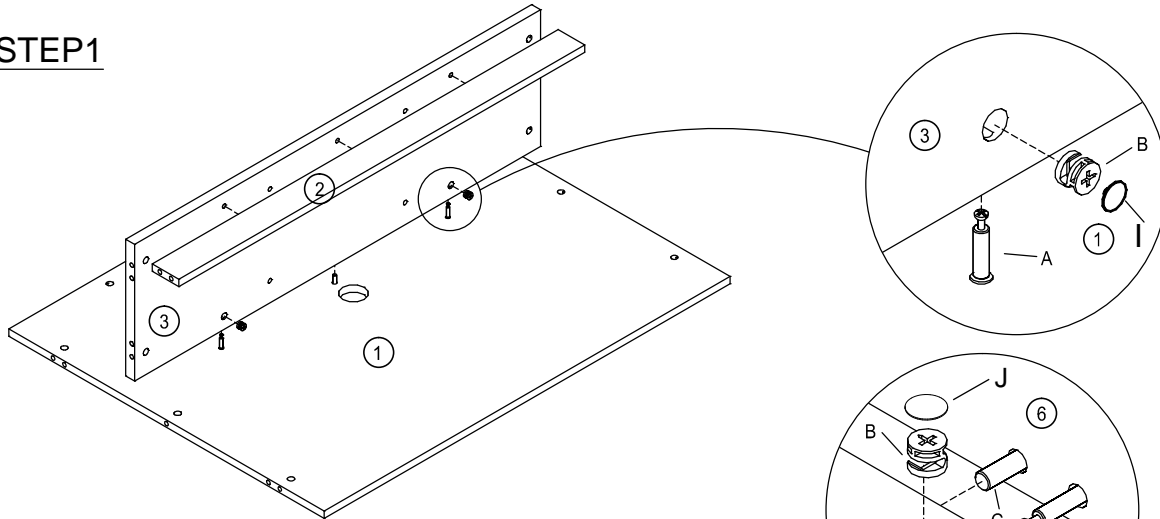


Open Hutch

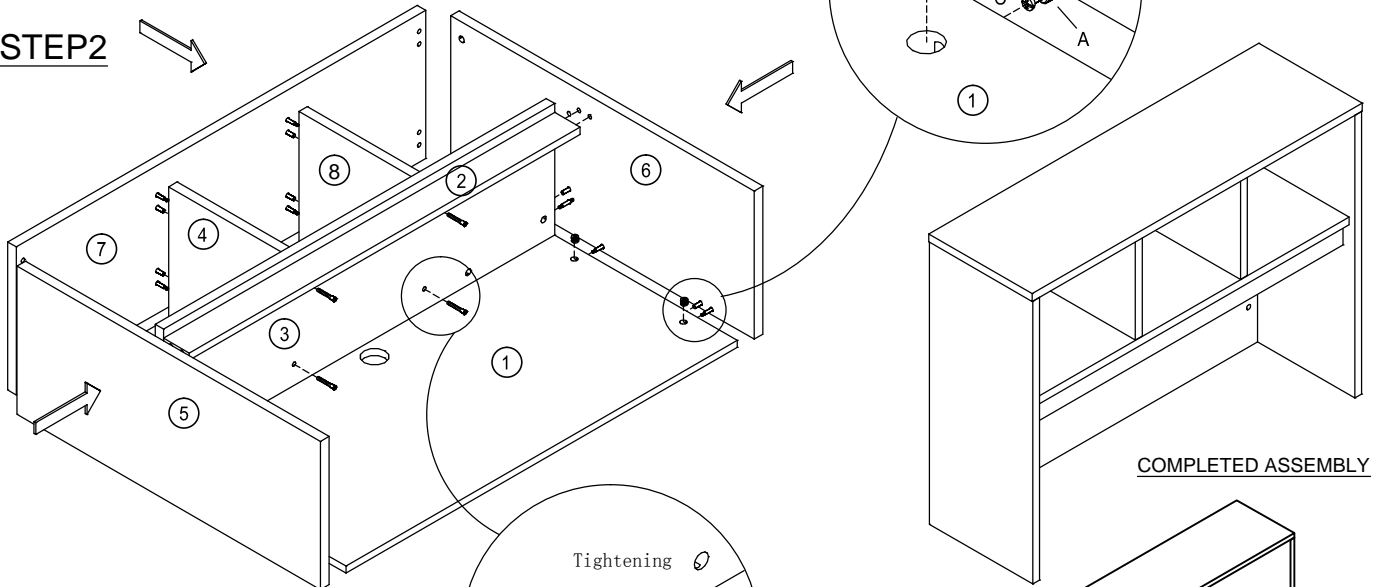
LO2/08-22

| | | | | | | | | | |
|---|--|---|--|--|---|---|---|--|---|
| A  Cam Lock Pin 24+2Pcs | B  Cam Lock 24+2Pcs | C  Dowel 23+2Pcs | D  JCBC W Screw M7*2" 4Pcs | E  Grommet 1Pcs | F  Screw #4*16 12+4Pcs | G  Flat Bracket 2Pcs | H  ADHESIVE STRIP 2Pcs | I  Deep Camlock cap 14+2Pcs | J  Camlock cap 10+2Pcs |
|---|--|---|--|--|---|---|---|--|---|

STEP1



STEP2



COMPLETED ASSEMBLY

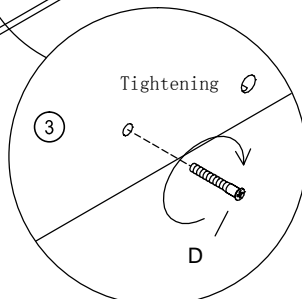
IMPORTANT:

FUNCTION OF CAM



1/4 RIGHT
TURN FOR
LOCKING

MAKE SURE THE ARROW IS POINTING UPWARDS
BEFORE INSERTING INTO THE PANEL'S HOLE.



CAUTION: LOCATE D SCREW
DO NOT TIGHTEN UNTIL TOP
⑦ INSTALLED

IMPORTANT NOTE:

- It is advisable to assemble unit on a carpet to avoid scratch.
- Check to be sure that you have all parts and hardware.
- Don't tighten all screws/bolts until all completely assembled.
- It is recommended to require 2 persons to complete the assembling.

