

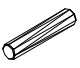

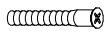



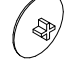

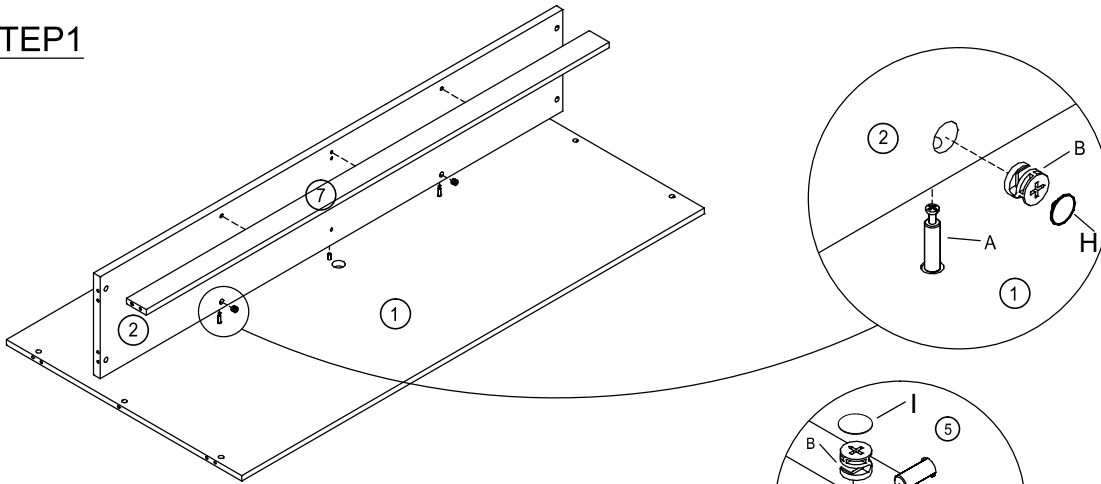


## Open Hutch

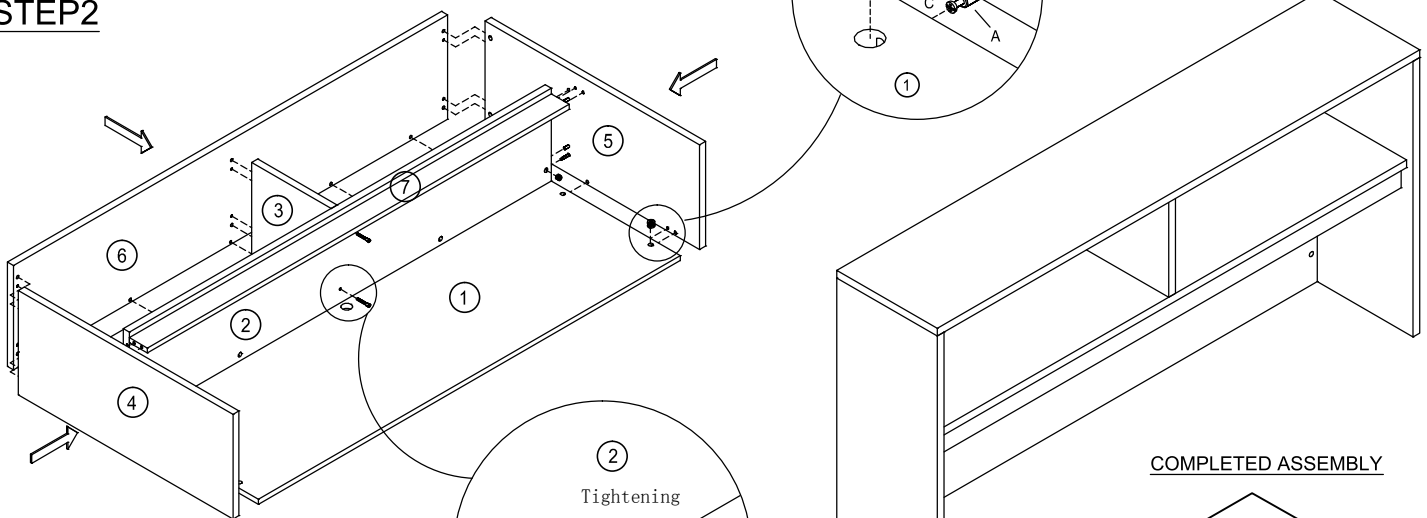
LO2/08-22

<b>A</b>  Cam Lock Pin 24+2Pcs	<b>B</b>  Cam Lock 24+2Pcs	<b>C</b>  Dowel 20+2Pcs	<b>D</b>  Grommet 1Pcs	<b>E</b>  JCBC W Screw M7*2" 2Pcs	<b>F</b>  Screw #4*16 12+4Pcs	<b>G</b>  Flat Bracket 2Pcs	<b>H</b>  Deep Camlock cap 12+2Pcs	<b>I</b>  Camlock cap 12+2Pcs	<b>J</b>  ADHESIVE STRIP 2Pcs
---	--	---	--	--	---	---	--	---	---

### STEP1



### STEP2



COMPLETED ASSEMBLY

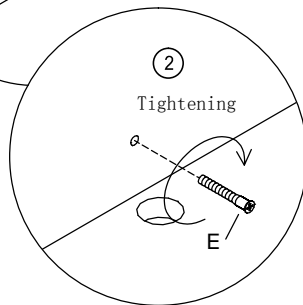
**IMPORTANT:**

**FUNCTION OF CAM**



1/4 RIGHT  
TURN FOR  
LOCKING

MAKE SURE THE ARROW IS POINTING UPWARDS  
BEFORE INSERTING INTO THE PANEL'S HOLE.



**CAUTION: LOCATE E SCREW  
DO NOT TIGHTEN UNTIL TOP  
⑥ INSTALLED**

**IMPORTANT NOTE:**

- It is advisable to assemble unit on a carpet to avoid scratch.
- Check to be sure that you have all parts and hardware.
- Don't tighten all screws/bolts until all completely assembled.
- It is recommended to require 2 persons to complete the assembling.

