






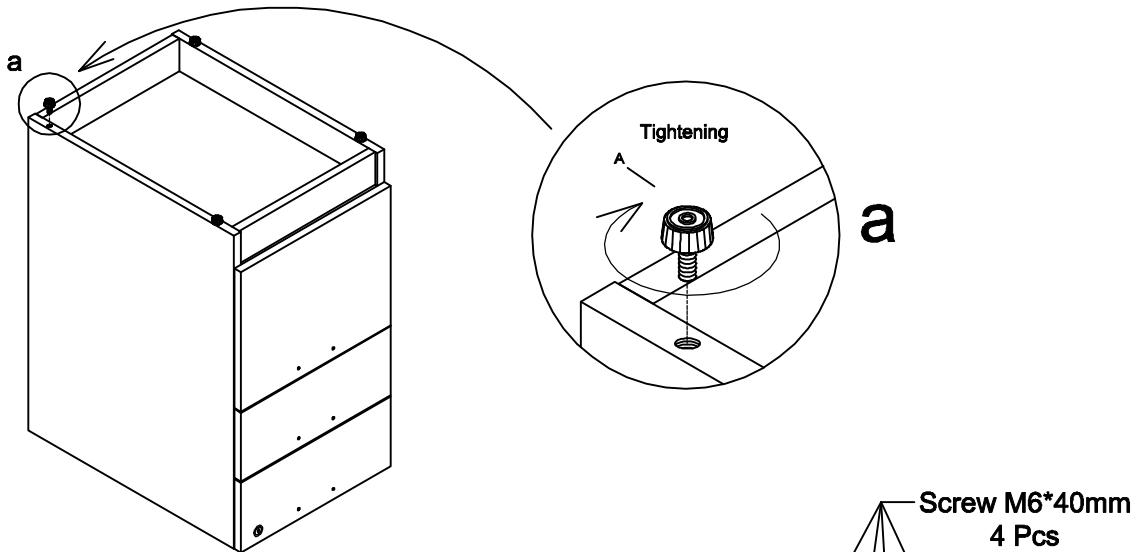


## Box/Box/File Pedestal

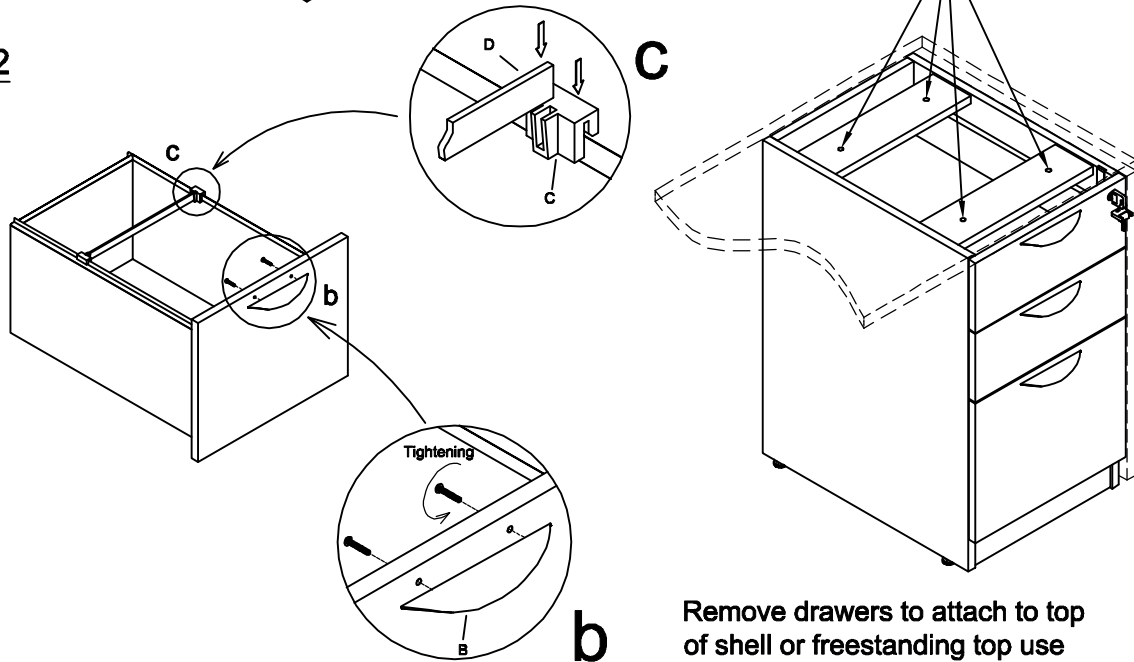
LO2/08-22

GLIDE	HANDLE	TUN001FC	TUN002AB	KEYS	TUN027SC	WOOD SCREW
<b>A</b>  Glide 4Pcs	<b>B</b>  96mm Metal Handle 3Sets	<b>C</b>  File Clip 2Pcs	<b>D</b>  300*15*3mm Aluminium Bar 1Pcs	<b>E</b>  Keys 1Set	<b>F</b>  Screw M6*40mm 4Pcs	<b>G</b>  Screw #4.5*35 4Pcs

### STEP1



### STEP2



Remove drawers to attach to top of shell or freestanding top use 4(F) M6\*40mm screws provided

### IMPORTANT NOTE:

- It is advisable to assemble unit on a carpet to avoid scratch.
- Check to be sure that you have all parts and hardware.
- Don't tighten all screws/bolts until all completely assembled.
- It is recommended to require 2 persons to complete the assembling.
- Pedestals are not freestanding; most gang to other units or are bracketed to a wall.

Use wood screws (G) M4.5\*35mm provided to attach pedestal to end panel.