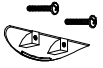
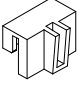

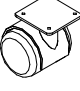
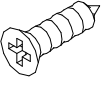


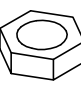

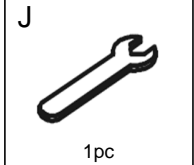


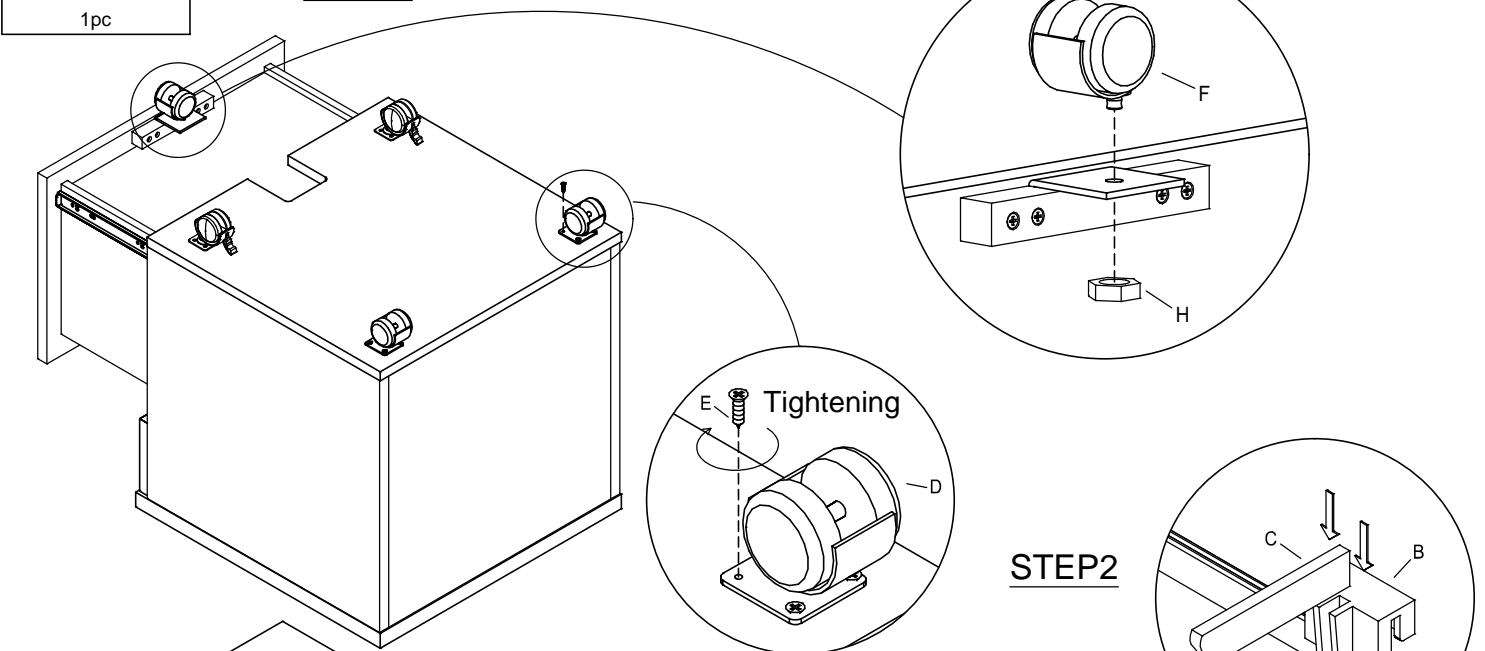
Mobile Box/File Pedestal

LO2/08-22

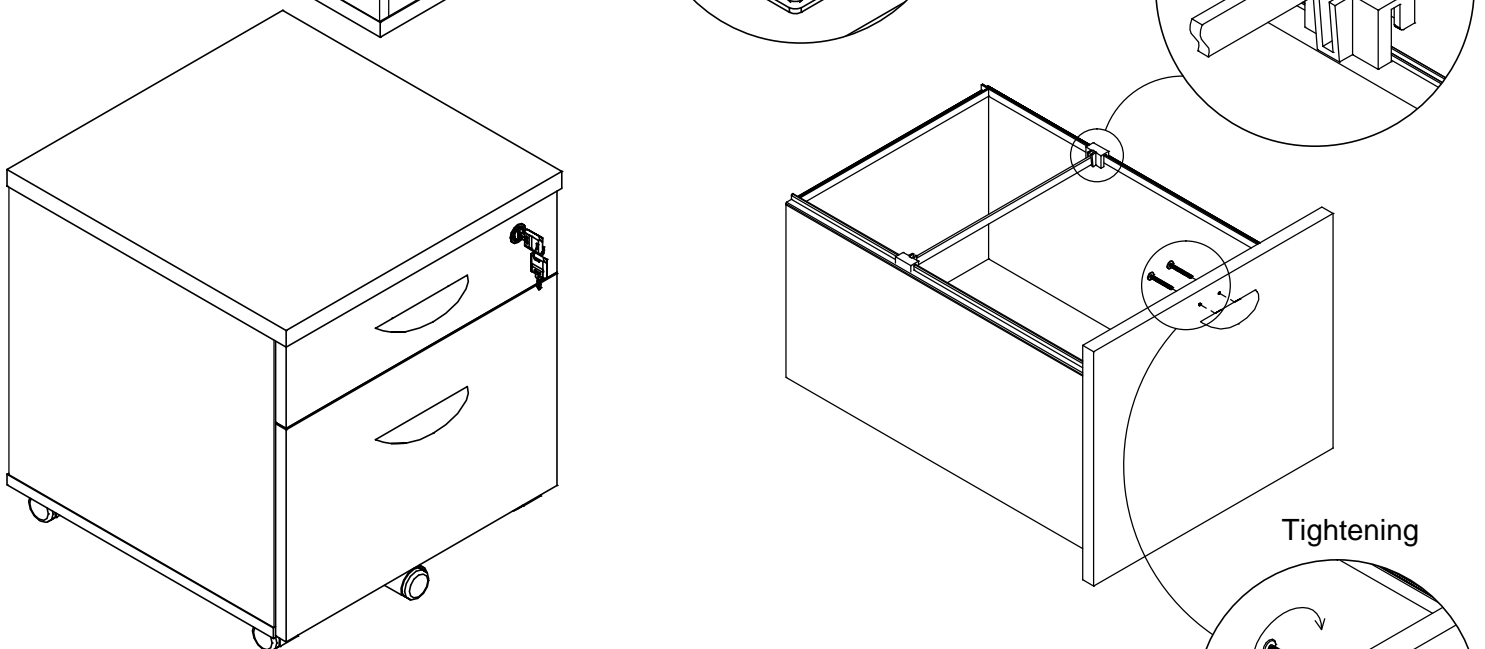
<p>A</p>  <p>96mm Metal Scallop Shape Handle 2 Sets</p>	<p>B</p>  <p>File Clip 2 +1Pcs</p>	<p>C</p>  <p>300*15*3mm Bar 1 Pcs</p>	<p>D</p>  <p>Casters H55mm 2Pcs</p>	<p>E</p>  <p>Screw #4*14 16+4 Pcs</p>	<p>F</p>  <p>1pc</p>	<p>G</p>  <p>Casters With Lock 2 Pcs</p>	<p>H</p>  <p>1pc</p>	<p>I</p>  <p>Keys 1Set</p>
--	--	---	---	---	---	--	--	--



STEP1



STEP2



IMPORTANT NOTE:

- It is advisable to assemble unit on a carpet to avoid scratch.
- Check to be sure that you have all parts and hardware.
- Don't tighten all screws/bolts until all completely assembled.
- It is recommended to require 2 persons to complete the assembling.

