






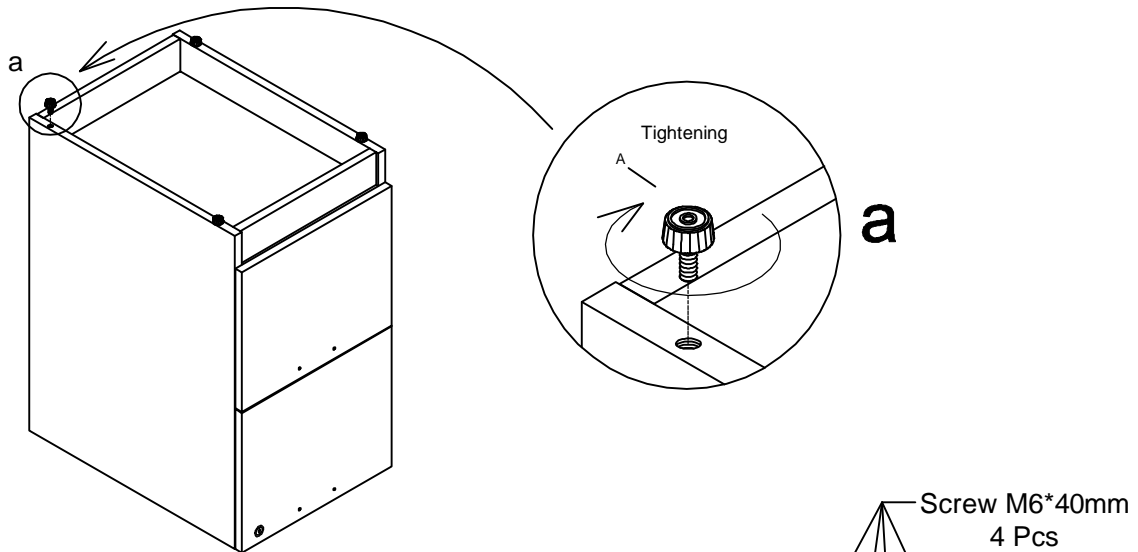


File/File Pedestal

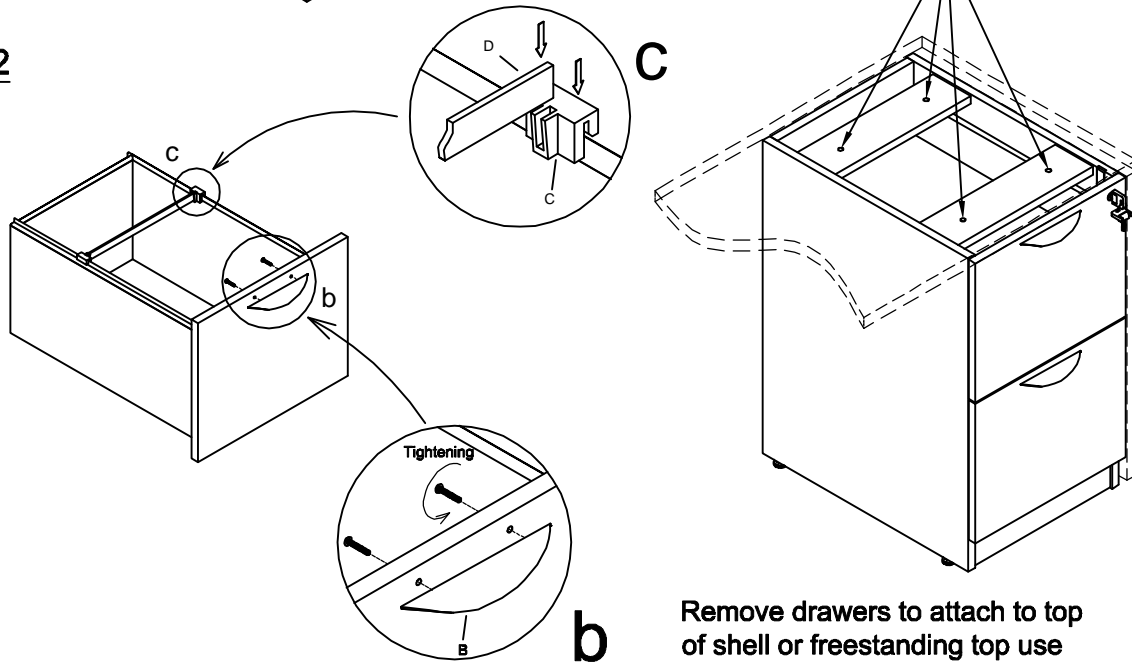
LO2/08-22

GLIDE	HANDLE	TUN001FC	TUN002AB	KEYS	TUN027SC	WOOD SCREW
A  Glide 4Pcs	B  96mm Metal Handle 2Sets	C  File Clip 4Pcs	D  300*15*3mm Aluminium Bar 2Pcs	E  Keys 1Set	F  Screw M6*40mm 4Pcs	G  Screw #4.5*35 4Pcs

STEP1



STEP2



Remove drawers to attach to top of shell or freestanding top use 4(F) M6*40mm screws provided

IMPORTANT NOTE:

- It is advisable to assemble unit on a carpet to avoid scratch.
- Check to be sure that you have all parts and hardware.
- Don't tighten all screws/bolts until all completely assembled.
- It is recommended to require 2 persons to complete the assembling.
- Pedestals are not freestanding; most gang to other units or are bracketed to a wall.

Use wood screws (G) M4.5*35mm provided to attach pedestal to end panel.