












Return-Reversible

LO2/08-22

CONC10	CONC11	DOWEL	GLIDE	TUN013LB	TUN018SC	TUN015BG	TUN0191B	PLASTIC CAP	PLUG
A  Cam Lock Pin 7Pcs+2Pcs	B  Cam Lock 7Pcs+2Pcs	C  Dowel 5Pcs+1Pcs	D  Glide 4Pcs	E  L-Bracket 4Pcs	F  Screw #4*1/2 42Pcs+5Pcs	G  Grommet 2Pcs	H  Flat Bracket 3Pcs	I  DEEP CAMLOCK CAP 10Pcs+2Pcs	J  CAP FOR DOWEL HOLES 2Pcs

PLUG
K  CAP FOR METAL INSERT 3Pcs

STEP1

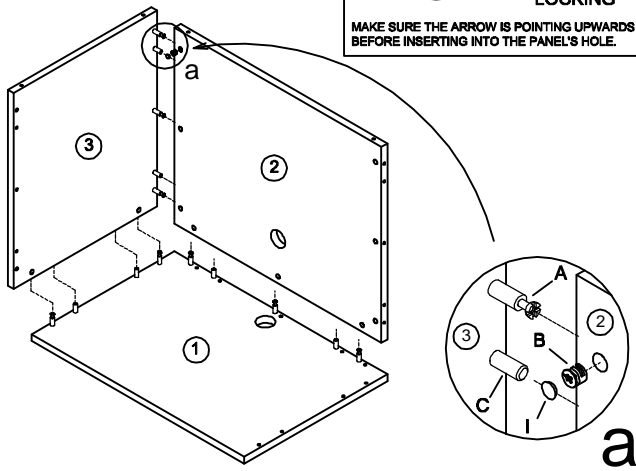
IMPORTANT:

FUNCTION OF CAM

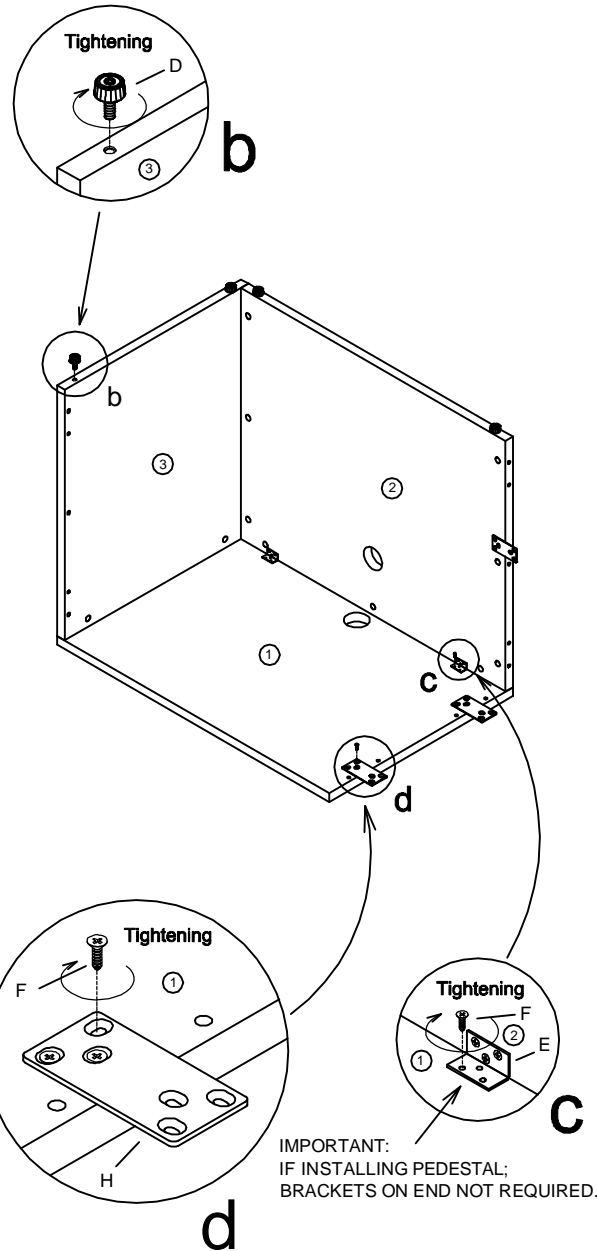


1/4 RIGHT
TURN FOR
LOCKING

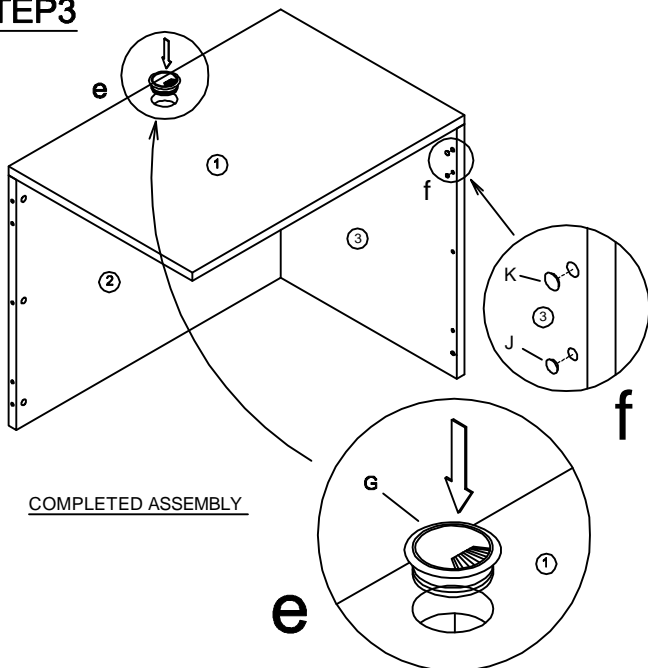
MAKE SURE THE ARROW IS POINTING UPWARDS
BEFORE INSERTING INTO THE PANEL'S HOLE.



STEP2



STEP3



COMPLETED ASSEMBLY

IMPORTANT:
IF INSTALLING PEDESTAL;
BRACKETS ON END NOT REQUIRED.

IMPORTANT NOTE:

- It is advisable to assemble unit on a carpet to avoid scratch.
- Check to be sure that you have all parts and hardware.
- Don't tighten all screws/bolts until all completely assembled.
- It is recommended to require 2 persons to complete the assembling.