









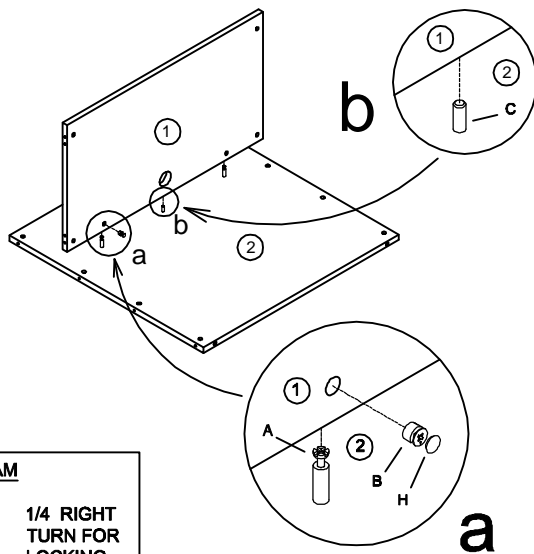


Reception Return - Reversible

LO2/08-22

CONC10	CONC11	DOWEL	GLIDE	TUN013LB	TUN018SC	TUN015BG	PLASTIC CAP	TUN019SC	PLUG
A  Cam Lock Pin 8Pcs+2Pcs	B  Cam Lock 8Pcs+2Pcs	C  Dowel 3Pcs+1Pcs	D  Glide 4Pcs	E  L-Bracket 3Pcs	F  Screw #4*1/2 36Pcs+5Pcs	G  Grommet 1Pcs	H  DEEP CAMLOCK CAP 8Pcs+8Pcs	I  Flat Bracket 3Pcs	J  CAP FOR METAL INSERT 4Pcs

STEP1



IMPORTANT:

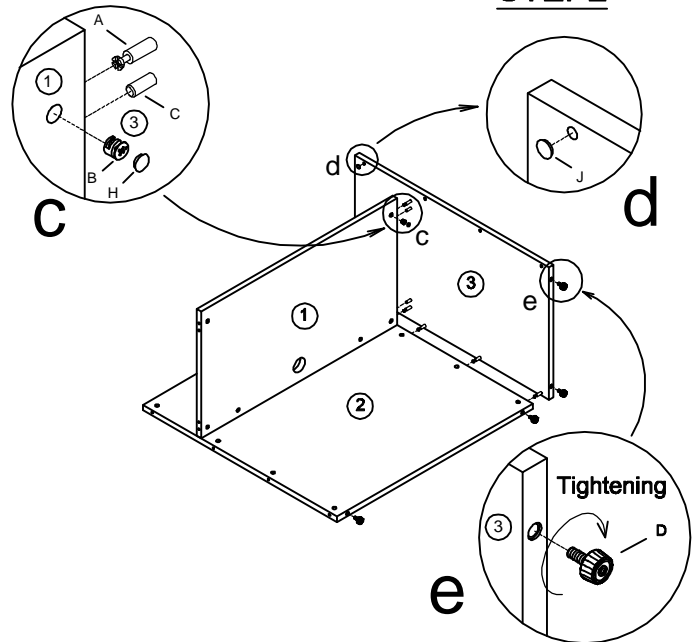
FUNCTION OF CAM



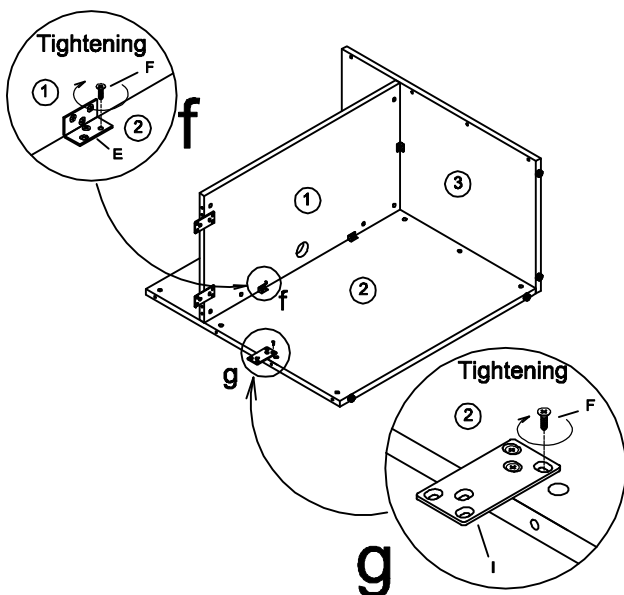
1/4 RIGHT
TURN FOR
LOCKING

MAKE SURE THE ARROW IS POINTING UPWARDS
BEFORE INSERTING INTO THE PANEL'S HOLE.

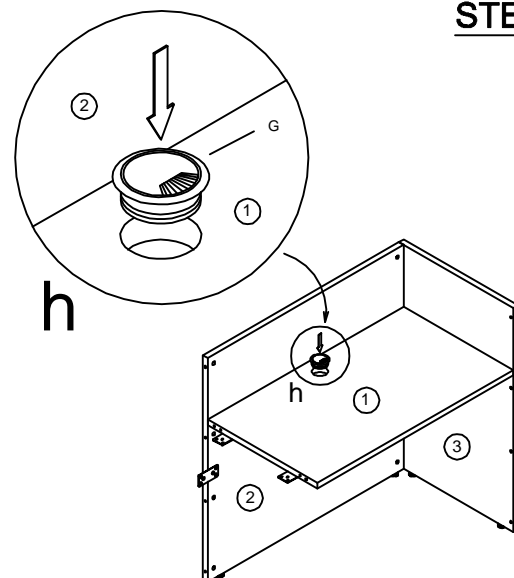
STEP2



STEP3



STEP4



COMPLETED ASSEMBLY

IMPORTANT NOTE:

- It is advisable to assemble unit on a carpet to avoid scratch.
- Check to be sure that you have all parts and hardware.
- Don't tighten all screws/bolts until all completely assembled.
- It is recommended to require 2 persons to complete the assembling.