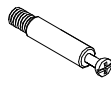

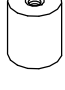





Reception Transaction Top - Laminate

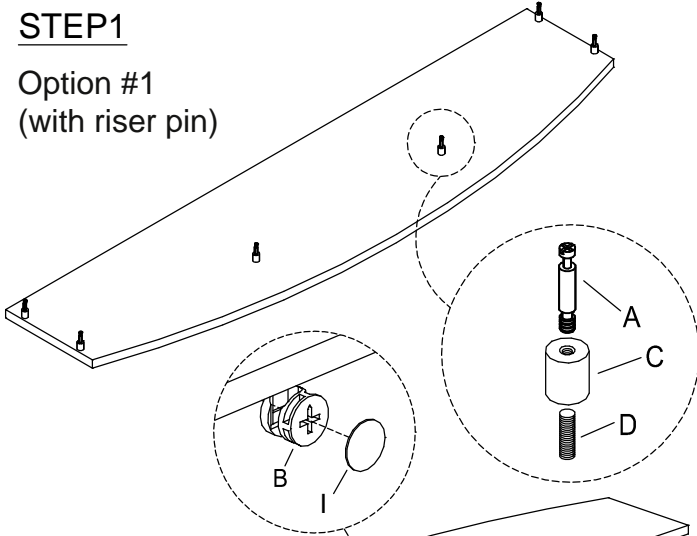
LO2/08-22

<p>A</p>  <p>Cam Lock Pin 6+2Pcs</p>	<p>B</p>  <p>Cam Lock 6+2Pcs</p>	<p>C</p>  <p>Riser Pin 6Pcs</p>	<p>D</p>  <p>Screw Pin 6Pcs</p>	<p>H</p>  <p>Deep Camlock cap 4+2Pcs</p>	<p>I</p>  <p>Camlock cap 2+2Pcs</p>
--	--	---	---	--	---

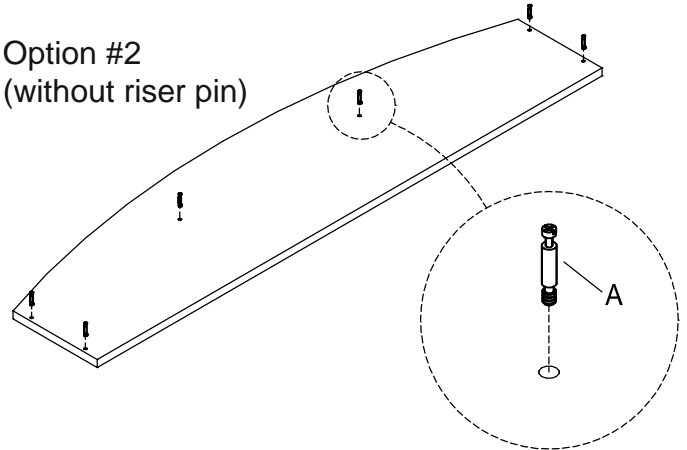
*Please note the H & I are packed with SL7130RDSNT

STEP1

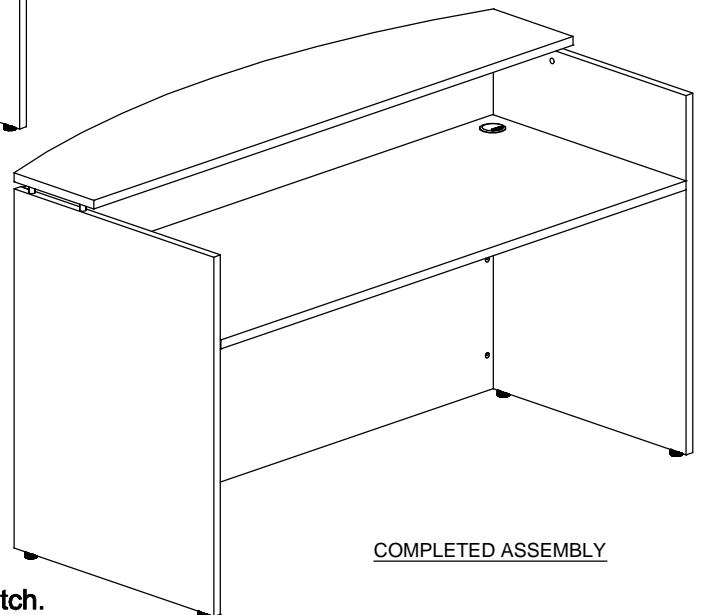
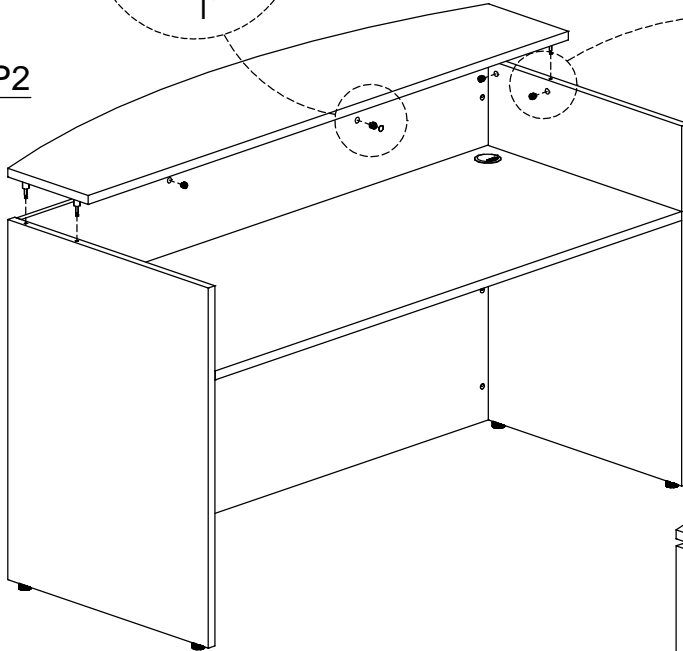
Option #1
(with riser pin)



Option #2
(without riser pin)

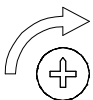


STEP2



IMPORTANT:

FUNCTION OF CAM



1/4 RIGHT
TURN FOR
LOCKING

MAKE SURE THE ARROW IS POINTING UPWARDS
BEFORE INSERTING INTO THE PANEL'S HOLE.

IMPORTANT NOTE:

- It is advisable to assemble unit on a carpet to avoid scratch.
- Check to be sure that you have all parts and hardware.
- Don't tighten all screws/bolts until all completely assembled.
- It is recommended to require 2 persons to complete the assembling.

COMPLETED ASSEMBLY