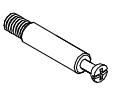

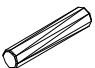
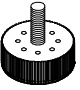
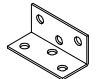
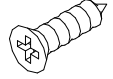
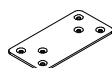

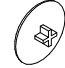

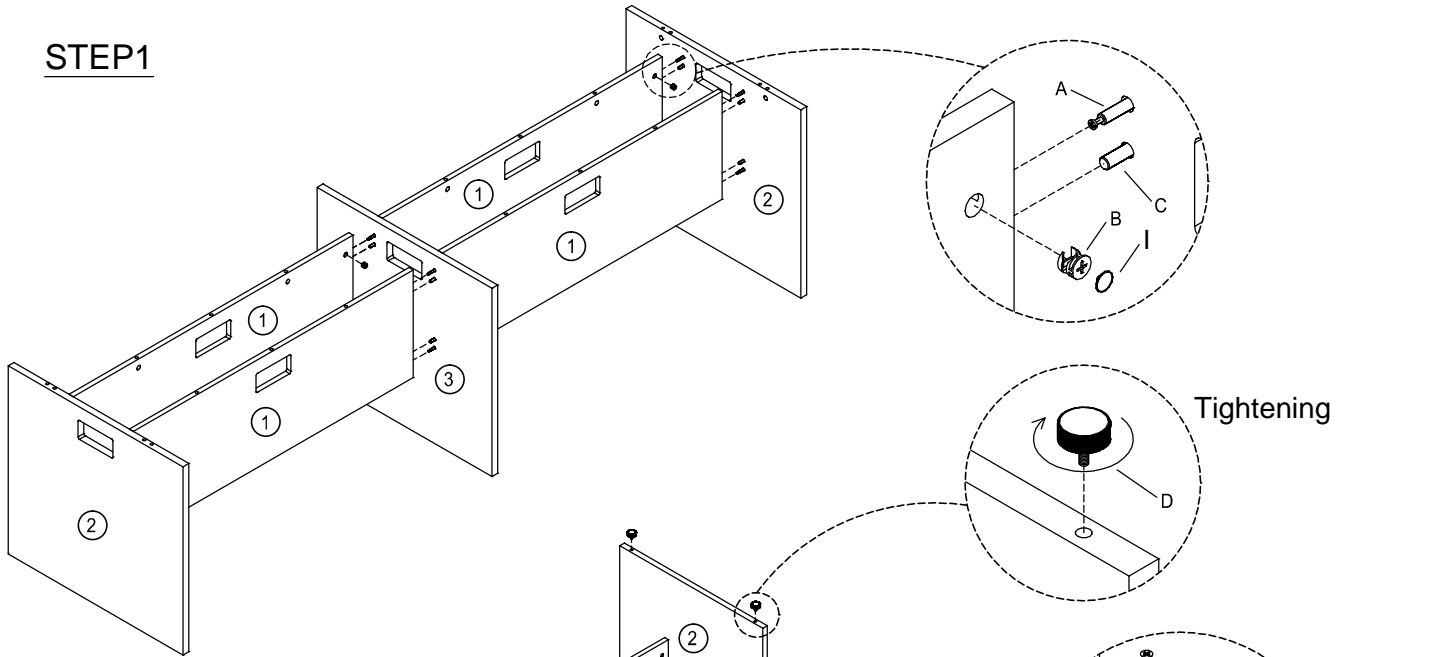


Rectangular Conference Table

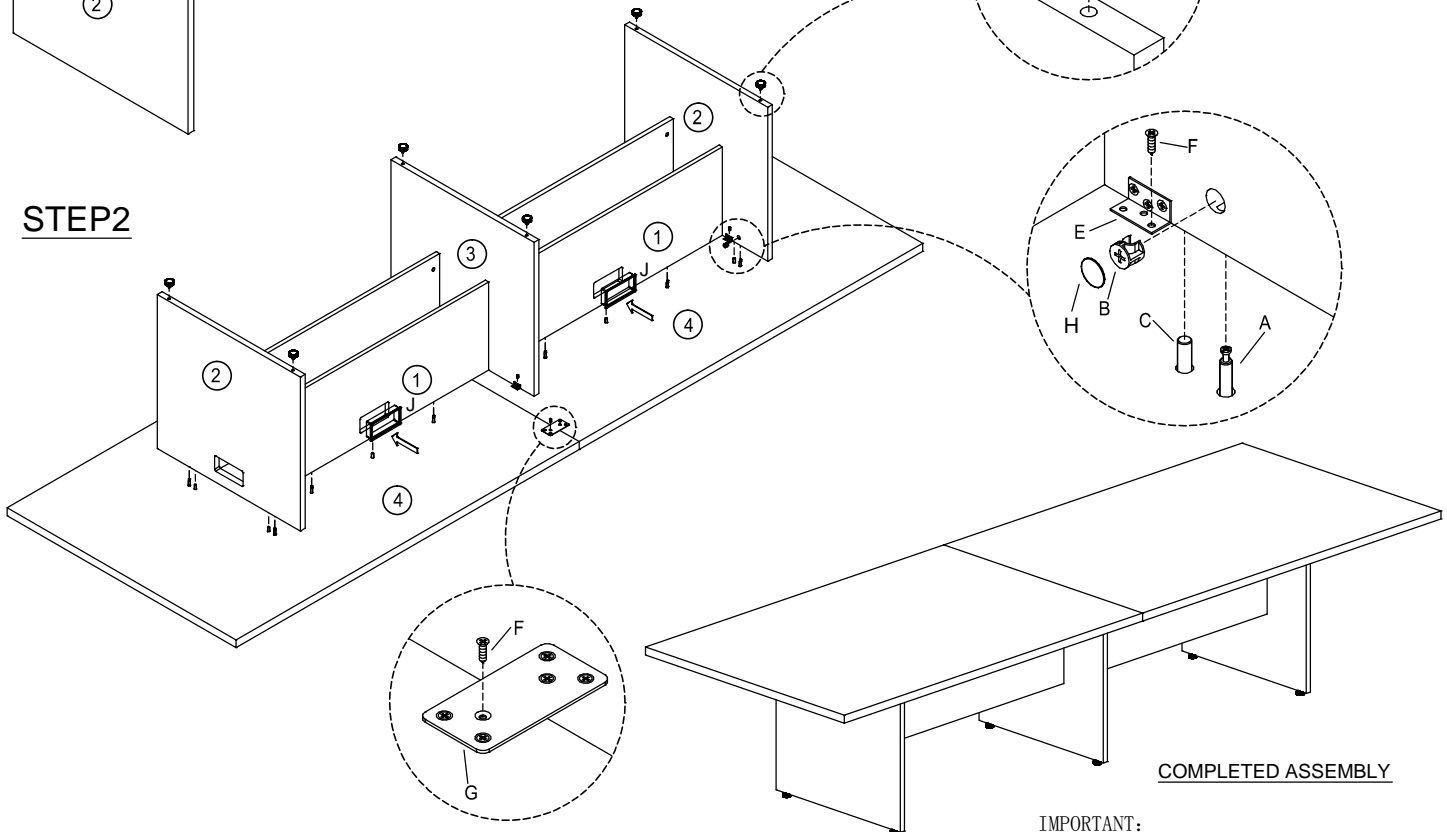
LO2/08-22

A  Cam Lock Pin 28+2Pcs	B  Cam Lock 28+2Pcs	C  Dowel 24+2Pcs	D  Glide 6Pcs	E  L-Bracket 6Pcs	F  Screw #4*5/8" 48+5Pcs	G  I-Bracket 2Pcs	H  Deep Camlock cap 4+2Pcs	I  Camlock cap 24+2Pcs	J  Grommet 6Pcs
---	--	---	--	--	---	--	---	---	--

STEP 1



STEP 2



COMPLETED ASSEMBLY

IMPORTANT NOTE:

- It is advisable to assemble unit on a carpet to avoid scratch.
- Check to be sure that you have all parts and hardware.
- Don't tighten all screws/bolts until all completely assembled.
- It is recommended to require 2 persons to complete the assembling.

IMPORTANT:

FUNCTION OF CAM



1/4 RIGHT
TURN FOR
LOCKING

MAKE SURE THE ARROW IS POINTING UPWARDS
BEFORE INSERTING INTO THE PANEL'S HOLE.