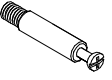

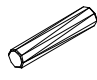

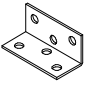
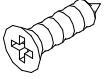

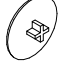

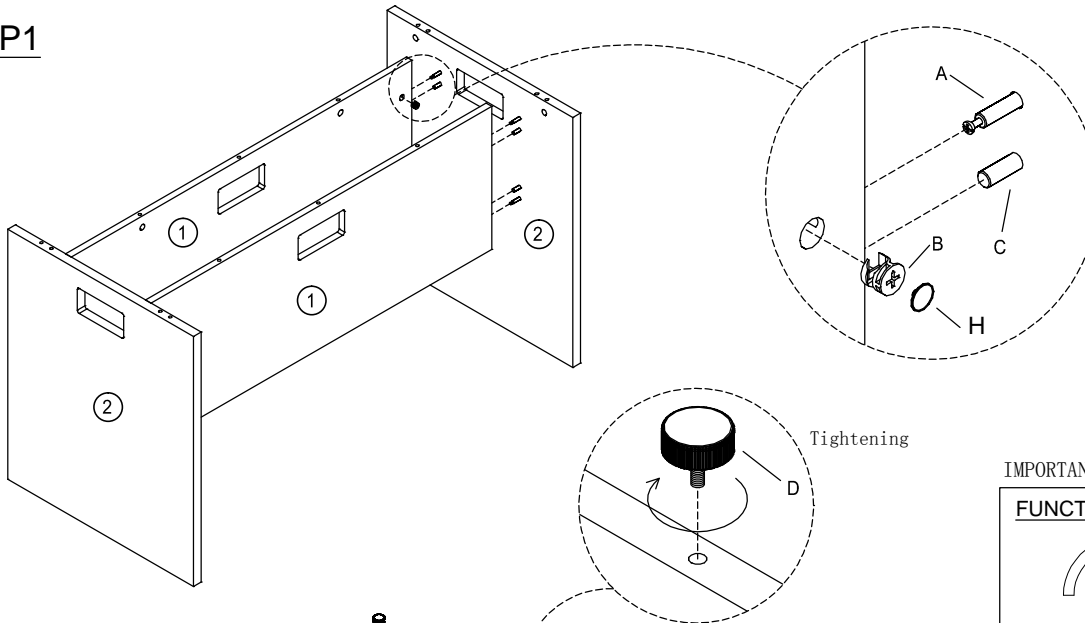


## Rectangular Conference Table

LO2/08-22

<b>A</b>  Cam Lock Pin 16+2Pcs	<b>B</b>  Cam Lock 16+2Pcs	<b>C</b>  Dowel 14+2Pcs	<b>D</b>  Glide 4Pcs	<b>E</b>  L-Bracket 6Pcs	<b>F</b>  Screw #4*5/8" 36+5Pcs	<b>G</b>  Deep Camlock cap 4+2Pcs	<b>H</b>  Camlock cap 12+2Pcs	<b>I</b>  Grommet 4Pcs
--	--	---	--	--	--	---	---	--

### STEP 1



IMPORTANT:

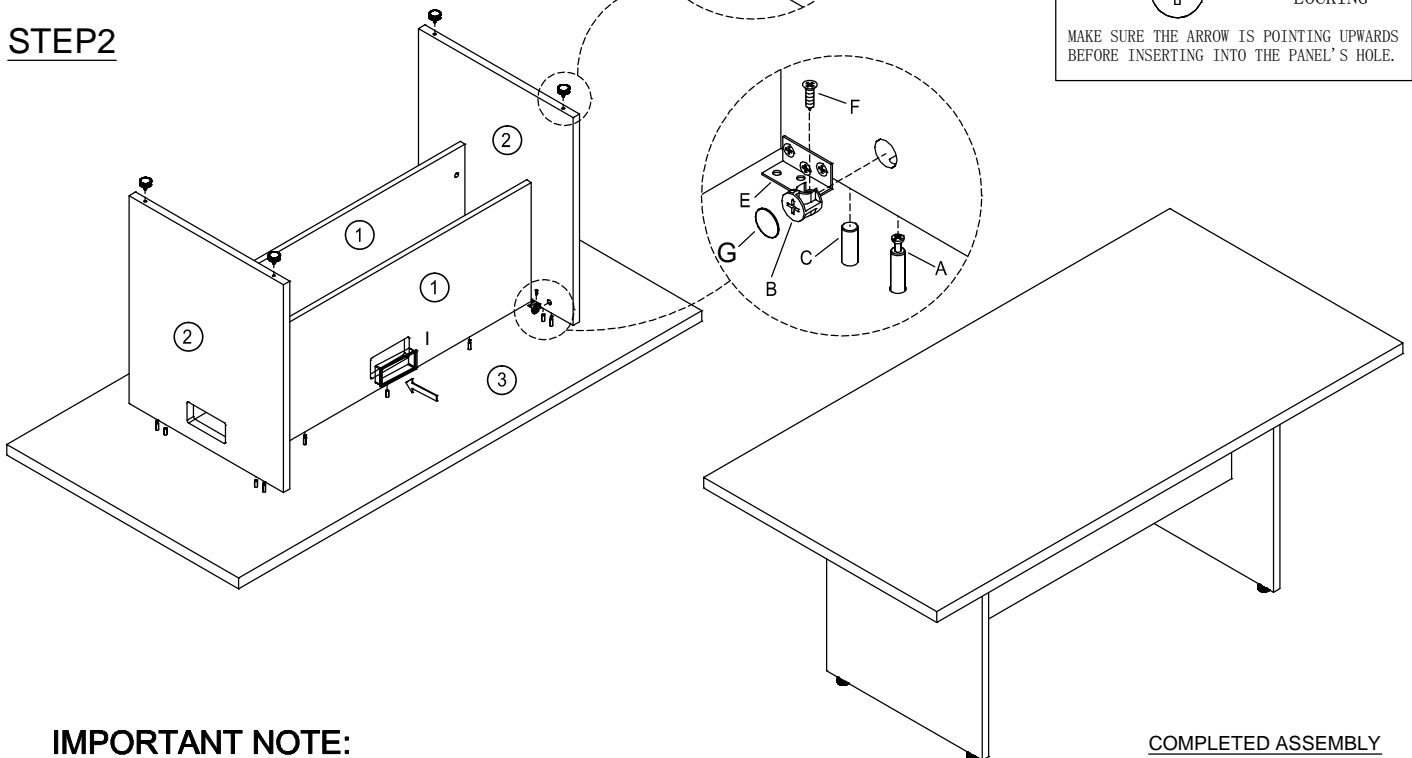
#### FUNCTION OF CAM



1/4 RIGHT  
TURN FOR  
LOCKING

MAKE SURE THE ARROW IS POINTING UPWARDS  
BEFORE INSERTING INTO THE PANEL'S HOLE.

### STEP 2



#### IMPORTANT NOTE:

- It is advisable to assemble unit on a carpet to avoid scratch.
- Check to be sure that you have all parts and hardware.
- Don't tighten all screws/bolts until all completely assembled.
- It is recommended to require 2 persons to complete the assembling.

COMPLETED ASSEMBLY