








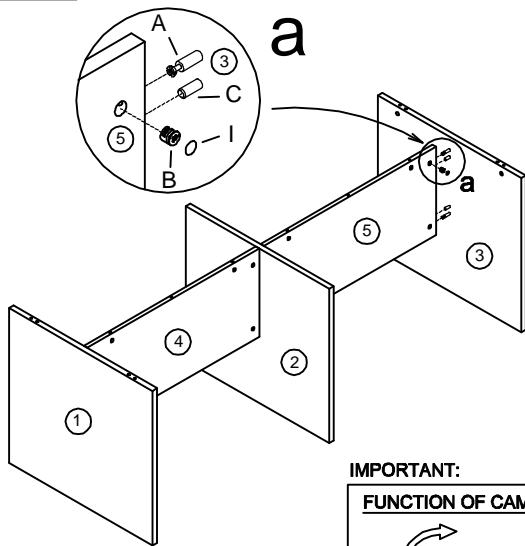


Racetrack Conference Table

LO2/08-22

CONC10	CONC11	DOWEL	GLIDE	TUN013LB	TUN018SC	TUN019SC	PLASTIC CAP	PLASTIC CAP
A  Cam Lock Pin 16Pcs+2Pcs	B  Cam Lock 16Pcs+2Pcs	C  Dowel 14Pcs+2Pcs	D  Glide 6Pcs	E  L-Bracket 6Pcs	F  Screw #4*3/8* 48Pcs+5Pcs	G  Flat Bracket 2Pcs	H  DEEP CAMLOCK CAP 4Pcs+1Pcs	I  CAMLOCK CAP 12Pcs+1Pcs

STEP1



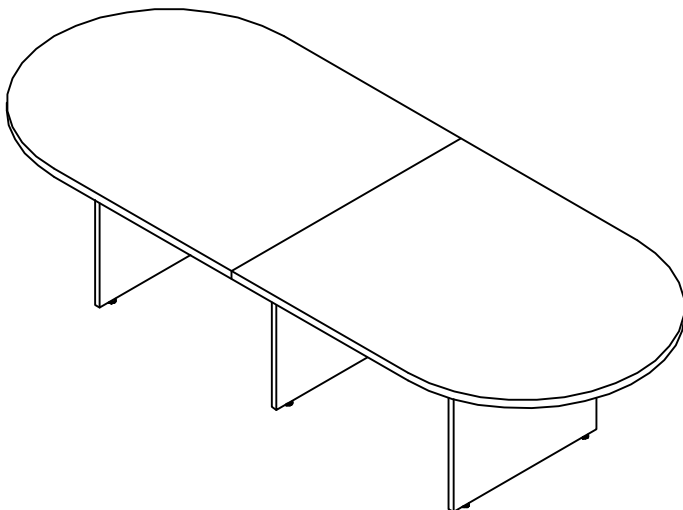
IMPORTANT:

FUNCTION OF CAM



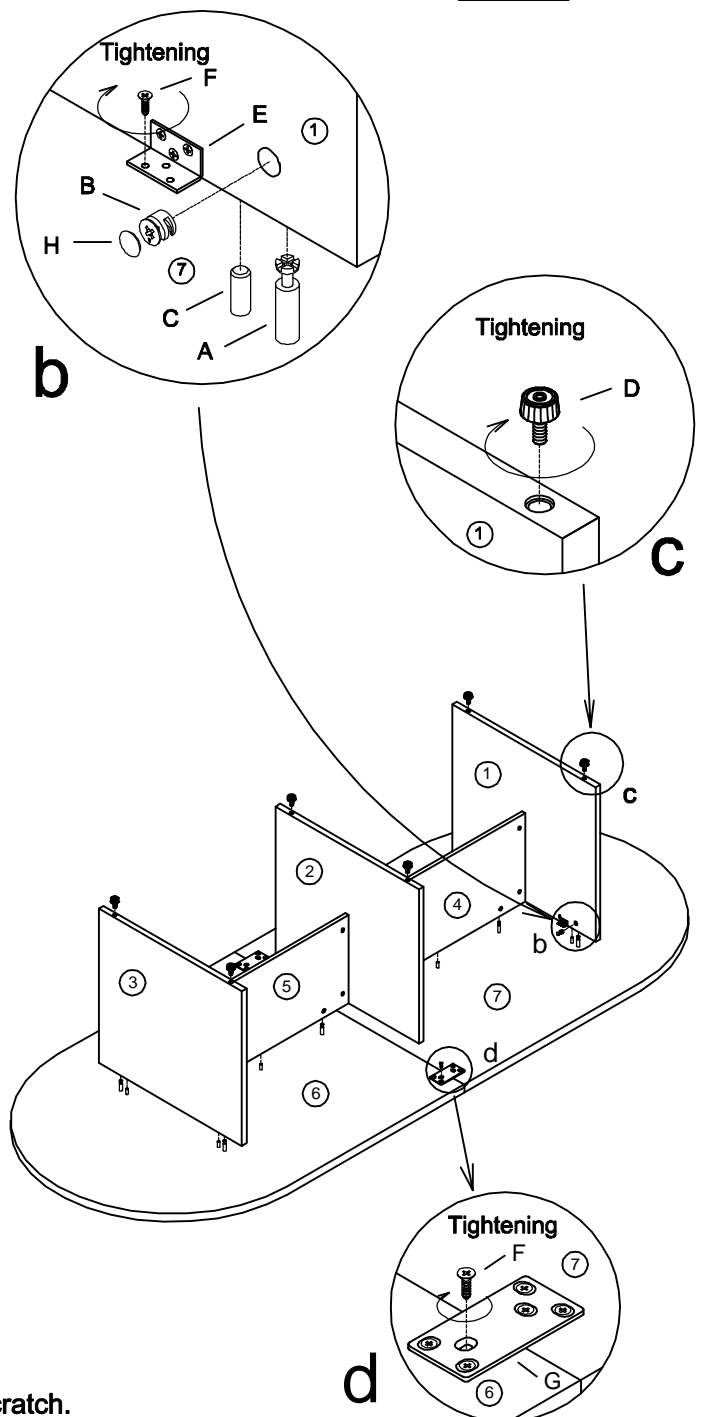
1/4 RIGHT
TURN FOR
LOCKING

MAKE SURE THE ARROW IS POINTING UPWARDS
BEFORE INSERTING INTO THE PANEL'S HOLE.



COMPLETED ASSEMBLY

STEP2



IMPORTANT NOTE:

- It is advisable to assemble unit on a carpet to avoid scratch.
- Check to be sure that you have all parts and hardware.
- Don't tighten all screws/bolts until all completely assembled.
- It is recommended to require 2 persons to complete the assembling.